

**ALL HANGERS IN THIS TABLE MUST BE NAILED TO ITS FULL CAPACITY, WITH NAILS OR BOLTS AS REQUIRED BY SPECIFIC HANGER.**

HANGER LIST		
HANGER MANUF.	HANGER I.D.	TRUSS I.D.

ALL TRUSSES SPACED @ 24" UNLESS OTHERWISE SPECIFIED.

FOR FINISH SPACING, AN EXAMPLE LISTING OF 16 FEET PER PAIR OR 16 FEET PER PAIR. ORIGINAL HEIGHT, ELEVATION SHALL BE SHOWN BY EITHER #FEET AND INCHES OR FEET AND DECIMAL PARTS. DIMENSIONS ARE TO FACE UNLESS OTHERWISE NOTED BY THE CONTRACTOR.

COMPONENTS/CLADDING ASCE 7-10 TRUSS LOADING CONDITIONS	
ROOF TRUSS	FLOOR TRUSS
TOP CHORD LIVE: 30.0	TOP CHORD LIVE: N/A
TOP CHORD DEAD: 15.0	TOP CHORD DEAD: N/A
BOTTOM CHORD DEAD: 10.0	BOTTOM CHORD DEAD: N/A
TOTAL LOAD: 55.0	TOTAL LOAD: N/A
LUMBER STRESS INCREASE: 1.33	LUMBER STRESS INCREASE: N/A
PLATE STRESS INCREASE: 1.00	PLATE STRESS INCREASE: N/A
EXPOSURE CATEGORY: C	EXPOSURE CATEGORY: C
BUILDING CATEGORY: III	BUILDING CATEGORY: III
WIND DESIGN VELOCITY: 175 MPH	WIND DESIGN VELOCITY: 175 MPH
IMPORTANCE FACTOR: 1.00	IMPORTANCE FACTOR: 1.00
WIND LOAD DURATION FACTOR: 1.00	WIND LOAD DURATION FACTOR: 1.00

111 **IMPORTANT NOTE 111** ERECTING ROOF TRUSSES IS A COMPLEX TASK TO BE PERFORMED BY EXPERIENCED PROFESSIONALS. FORT DALLAS TRUSS CO. EXPECTS THE TRUSS CONTRACTOR TO PRODUCE FINAL TRUSS BLUEPRINTS BEFORE ERECTING THESE TRUSSES. CONTRACTOR WILL BE RESPONSIBLE FOR THE LOSS OF THE ADDITIONAL CRANE USAGE. FORT DALLAS TRUSS CO. WILL BE RESPONSIBLE ONLY FOR REPAIRING OR REPLACING DAMAGED TRUSSES OR THOSE WITH MANUFACTURING DEFECTS OR DO NOT COMFORM TO APPROVED LAYOUT.

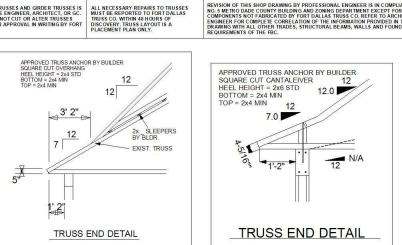
TRUSSES ARE DESIGNED IN ACCORDANCE WITH TRUSSES OTHERWISE SPECIFIED.

PLEASE REFER TO INDIVIDUAL ENGINEERING SHEETS FOR MEMBER SIZE AND MATERIALS INFO. REQUIRED FOR ORDER TRUSSES. SET GAUG FOR HFS, ETC.

NOTE: NORMALLY ALL TRUSSES ARE SPACED 24" O.C.

ALL UP/LIFT CONNECTION TO TRUSSES AND OTHER TRUSSES IS THE RESPONSIBILITY OF END ARCH. OR GENERAL CONTRACTOR.

SPECIAL HANGERS BY PURCHASER OF TRUSS PACKAGE.

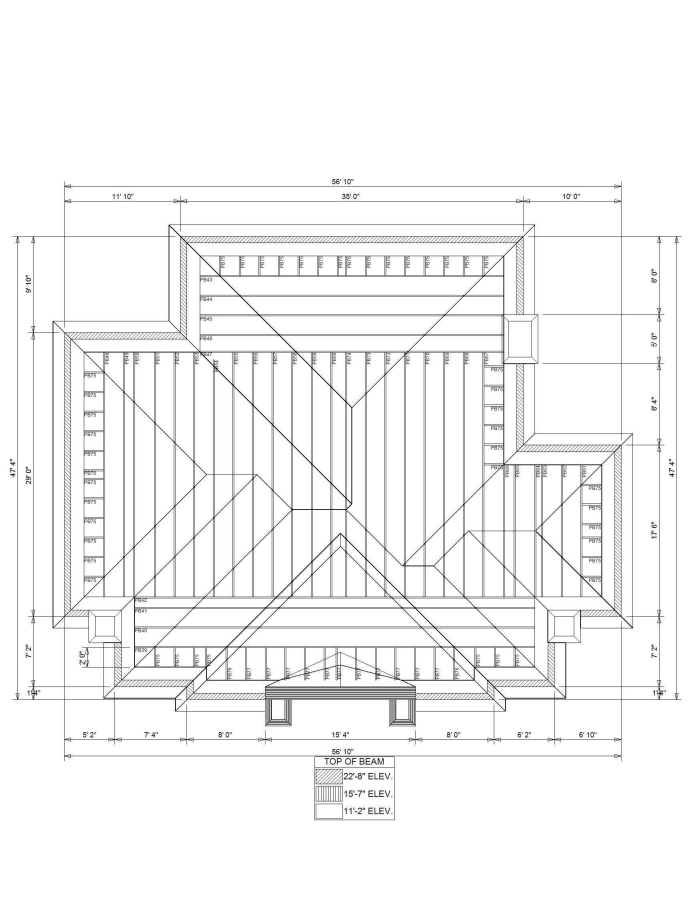
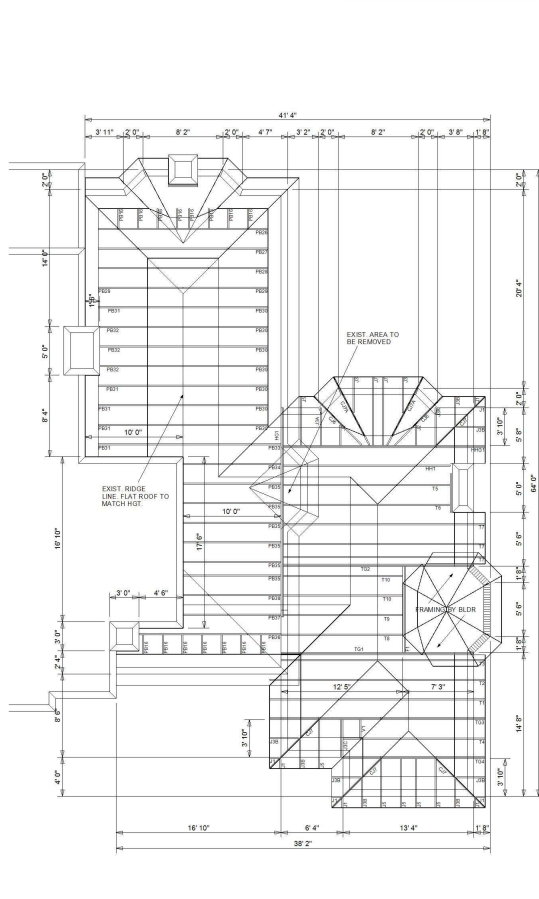
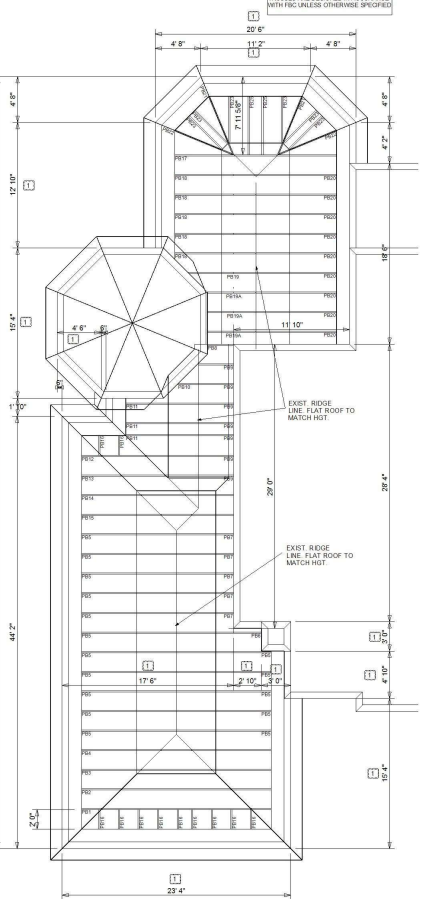


**\*\*ATTENTION BUILDER\*\***

ALL DIMENSIONS, OVERHANGS, PITCH, ETC TO BE CHECKED BEFORE ORDERING TRUSSES. IT IS YOUR RESPONSIBILITY TO CHECK OUR TRUSS PLAN.

JOSE MARTINEZ, P.E.  
Consulting Engineer/Civil/Structural  
24 E. 5th Street  
Hialeah, FL 33010  
(Florida P.E. 031509)

STATEMENT in my professional judgement and to best of my knowledge and belief, these truss specifications comply with applicable building codes.



DATE	DESCRIPTION

**FOR DALLAS TRUSS COMPANY, LLC**

1115 N. W. 14th Street, Suite 100, Fort Lauderdale, FL 33311  
Phone: 954-336-1111 | Fax: 954-336-1112  
www.fordallas.com

CUSTOMER: \_\_\_\_\_  
JOB NAME: \_\_\_\_\_  
JOB ADDRESS: \_\_\_\_\_  
CITY: \_\_\_\_\_ STATE: \_\_\_\_\_  
ZIP: \_\_\_\_\_  
DATE: \_\_\_\_\_  
BY: \_\_\_\_\_  
ANALYST: \_\_\_\_\_

INSTALLATION AND USE: THE USER SHALL BE RESPONSIBLE FOR THE PROPER INSTALLATION AND USE OF THE TRUSSES AND FOR THE PROTECTION OF THE TRUSSES FROM DAMAGE. THE TRUSSES ARE TO BE INSTALLED IN ACCORDANCE WITH THE TRUSS MANUFACTURING AND INSTALLATION SPECIFICATIONS PROVIDED BY THE CONTRACTOR. THE USER SHALL BE RESPONSIBLE FOR THE PROTECTION OF THE TRUSSES FROM DAMAGE. THE TRUSSES ARE TO BE INSTALLED IN ACCORDANCE WITH THE TRUSS MANUFACTURING AND INSTALLATION SPECIFICATIONS PROVIDED BY THE CONTRACTOR.

FOR DALLAS TRUSS COMPANY, LLC  
1115 N. W. 14th Street, Suite 100, Fort Lauderdale, FL 33311  
Phone: 954-336-1111 | Fax: 954-336-1112  
www.fordallas.com